

Appearance	
Sectional area	30*15mm
NO.of beams	6~32
Protection height	50~1240mm
Protection distance	0.3~3m
Beam pitch	20~40mm
Min. sized detectable objects	> $\phi 28/\phi 48$ mm, opaque
Supply voltage	24V DC \pm 10%
Current consumption	<200mA
Power consumption	3~8W
Output type	NPN/PNP
Synchronization type	line synchronization
Response time	\leq 15ms
Light source	Infrared LED (Modulated)
Protective circuit	Reverse polarity, output short circuit protection
Ambient temperature	-10~+55°C (No condensation, no freezing)
Ambient humidity	35~85%RH
Anti-interference ability	10000Lux
Insulation resistance	Above 100M Ω , Based on 500V DC megger
Degree of protection	IP65
Material	Aluminium alloy
Connection	M12 connector
Accessories	Cable length 3m, female (Customization available)

- Fiber Optic
- Slot Sensors
- Photoelectric
- Laser
- Proximity
- Displacement
- Magnetic
- Contact
- Area
- Ultrasonic
- Vibration
- Temperature
- Cables
- Tester

Guidance

Light curtains

- Standard type
- Top-emitting type
- Side-emitting type
- Waterproof type
- Measuring type
- Economical type

Safety Light Curtain

- Beam pitch 10mm
- Beam pitch 20mm
- Beam pitch 30mm
- Beam pitch 40mm

LIDAR scanner

- TOF LIDAR scanner
- MINI LIDAR scanner
- Navigation LIDAR

BCL20

Beam pitch	20mm							
Min. sized detectable objects	> $\phi 28$, opaque							
Protection distance	0.3~3m							
NO.of beams	6	8	10	12	14	32	
Protection height	100mm	140mm	180mm	220mm	260mm	...	620mm	
Light curtain height	159mm	199mm	239mm	279mm	319mm	...	679mm	
Model NO.	NPN NC	BCL20-T0603NC	BCL20-T0803NC	BCL20-T1003NC	BCL20-T1203NC	BCL20-T1403NC	BCL20-T3203NC
	PNP NC	BCL20-T0603PC	BCL20-T0803PC	BCL20-T1003PC	BCL20-T1203PC	BCL20-T1403PC	BCL20-T3203PC

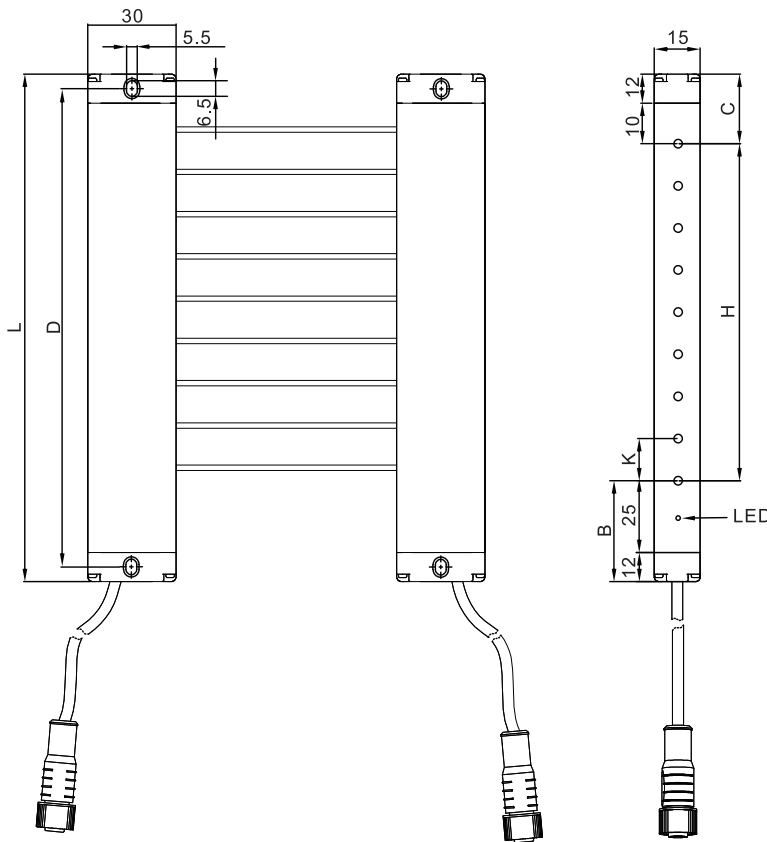
BCL40

Beam pitch	40mm							
Min. sized detectable objects	> $\phi 48$, opaque							
Protection distance	0.3~3m							
NO.of beams	4	6	8	10	12	...	32	
Protection height	120mm	200mm	280mm	360mm	440mm	...	1240mm	
Light curtain height	172.5mm	252.5mm	332.5mm	412.5mm	492.5mm	...	1292.5mm	
Model NO.	NPN NC	BCL40-T0403NC	BCL40-T0603NC	BCL40-T0803NC	BCL40-T1003NC	BCL40-T1203NC	BCL40-T3203NC
	PNP NC	BCL40-T0403PC	BCL40-T0603PC	BCL40-T0803PC	BCL40-T1003PC	BCL40-T1203PC	BCL40-T3203PC

Side-emitting Type

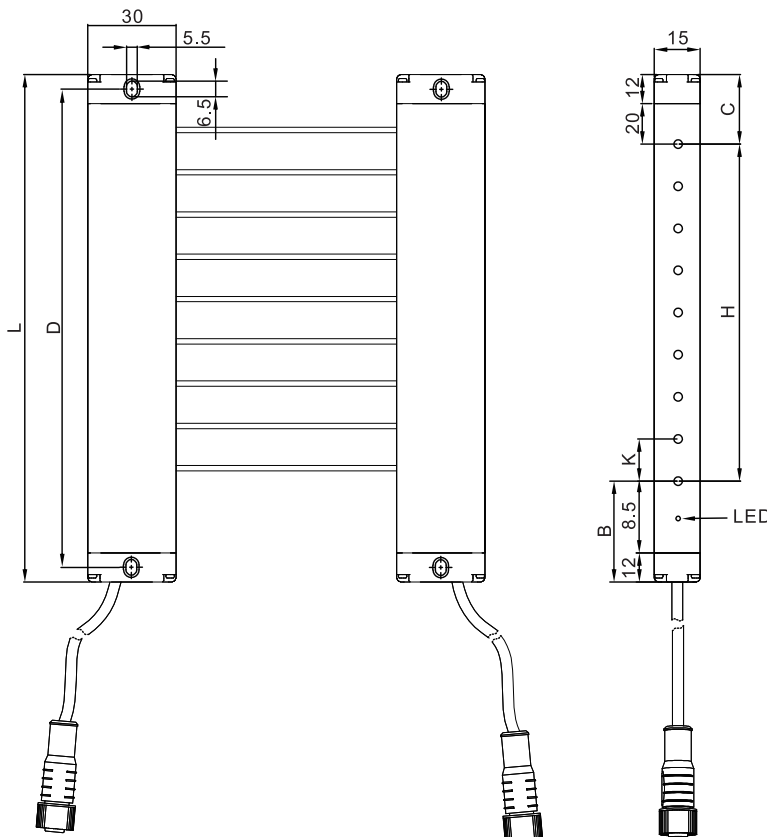
Dimensions(Unit:mm)

BCL20



H: Protection Height= (N-1) K
 L: Light curtain total height=H+59
 N: No. of beams
 K: Beam pitch=20
 B: Lower blind height=37
 C: Upper blind height=22
 D: Mounting hole spacing= (L-11)

BCL40



H: Protection Height= (N-1) K
 L: Light curtain total height=H+52.5
 N: No. of beams
 K: Beam pitch=40
 B: Lower blind height=20.5
 C: Upper blind height=32
 D: Mounting hole spacing= (L-11)

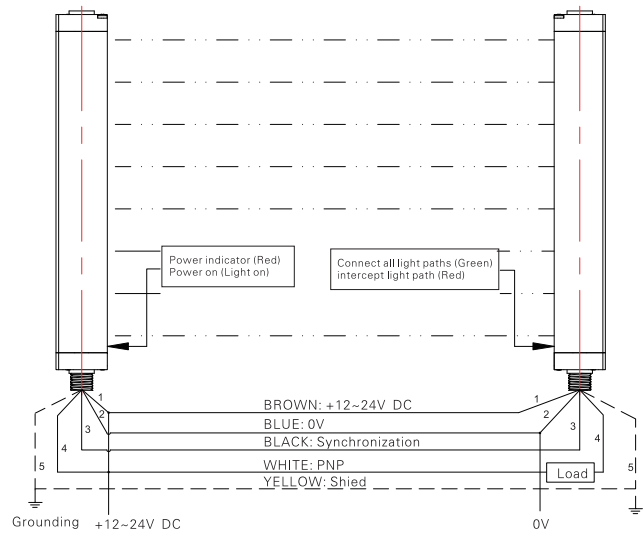
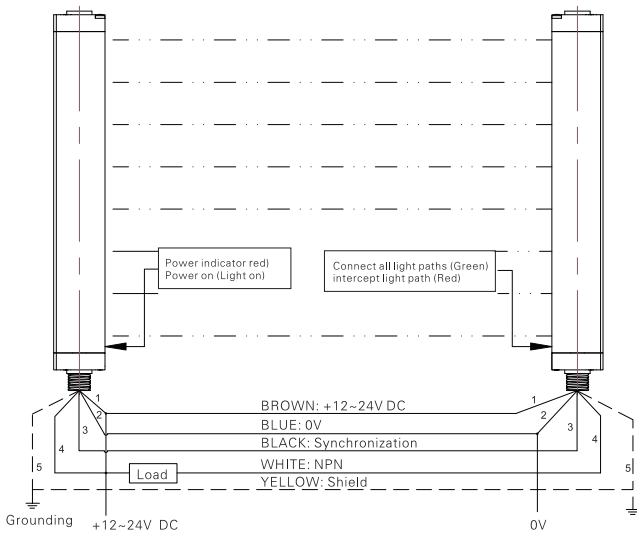
- Fiber Optic
- Slot Sensors
- Photoelectric
- Laser
- Proximity
- Displacement
- Magnetic
- Contact
- Area
- Ultrasonic
- Vibration
- Temperature
- Cables
- Tester

Guidance

- Light curtains
 - Standard type
 - Top-emitting type
 - Side-emitting type
 - Waterproof type
 - Measuring type
 - Economical type
- Safety Light Curtain
 - Beam pitch 10mm
 - Beam pitch 20mm
 - Beam pitch 30mm
 - Beam pitch 40mm
- LiDAR scanner
 - TOF LiDAR scanner
 - MINI LiDAR scanner
 - Navigation LiDAR

NPN

PNP



- Fiber Optic
- Slot Sensors
- Photoelectric
- Laser
- Proximity
- Displacement
- Magnetic
- Contact
- Area**
- Ultrasonic
- Vibration
- Temperature
- Cables
- Tester

Guidance

Light curtains

- Standard type
- Top-emitting type
- Side-emitting type**
- Waterproof type
- Measuring type
- Economical type

Safety Light Curtain

- Beam pitch 10mm
- Beam pitch 20mm
- Beam pitch 30mm
- Beam pitch 40mm

LIDAR scanner

- TOF LIDAR scanner
- MINI LIDAR scanner
- Navigation LIDAR