

Appearance	
Sectional area	φ 48mm
NO.of beams	4~32
Protection height	50~1240mm
Protection distance	0.3~3m
Beam pitch	10/14/20/25/30/40mm
Min. sized detectable objects	> φ 15/ φ 19/ φ 25/ φ 30/ φ 35/ φ 45mm, opaque
Supply voltage	24V DC±10%
Current consumption	<200mA
Power consumption	3~8W
Output type	NPN/PNP
Synchronization type	Line synchronization
Response time	≤15ms
Light source	Reverse LED (Modulated)
Protective circuit	Reverse polarity, output short circuit protection
Ambient temperature	-10~+55°C, No freezing
Ambient humidity	35~85%RH, No condensation
Anti-interference ability	10000Lux
Insulation resistance	Above 100MΩ, Based on 500V DC megger
Degree of protection	IP68
Material	Aluminium alloy
Connection	M12 connector
Accessories	Cable length 3m, female (Customization available)

- Fiber Optic
- Slot Sensors
- Photoelectric
- Laser
- Proximity
- Displacement
- Magnetic
- Contact
- Area**
- Ultrasonic
- Vibration
- Temperature
- Cables
- Tester
- Guidance

- Light curtains
- Standard type
- Top-emitting type
- Side-emitting type
- Waterproof type**
- Measuring type
- Economical type

- Safety Light Curtain**
- Beam pitch 10mm
- Beam pitch 20mm
- Beam pitch 30mm
- Beam pitch 40mm
- LIDAR scanner**
- TOF LIDAR scanner
- MINI LIDAR scanner
- Navigation LIDAR

BPL10

Beam pitch	10mm							
Min. sized detectable objects	> φ 15, opaque							
Protection distance	0.3~3m							
NO.of beams	6	8	10	12	14	32	
Protection height	50mm	70mm	90mm	110mm	130mm	310mm	
Light curtain height	118mm	138mm	158mm	178mm	198mm	378mm	
Model NO.	NPN NC	BPL10-T0603NC	BPL10-T0803NC	BPL10-T1003NC	BPL10-T1203NC	BPL10-T1403NC	BPL10-T3203NC
	PNP NC	BPL10-T0603PC	BPL10-T0803PC	BPL10-T1003PC	BPL10-T1203PC	BPL10-T1403PC	BPL10-T3203PC

BPL14

Beam pitch	14mm							
Min. sized detectable objects	> φ 19, opaque							
Protection distance	0.3~3m							
NO.of beams	6	8	10	12	14	32	
Protection height	70mm	98mm	126mm	154mm	182mm	434mm	
Light curtain height	140mm	168mm	196mm	224mm	252mm	504mm	
Model NO.	NPN NC	BPL14-T0603NC	BPL14-T0803NC	BPL14-T1003NC	BPL14-T1203NC	BPL14-T1403NC	BPL14-T3203NC
	PNP NC	BPL14-T0603PC	BPL14-T0803PC	BPL14-T1003PC	BPL14-T1203PC	BPL14-T1403PC	BPL14-T3203PC

BPL20

Beam pitch		20mm						
Min. sized detectable objects		> ϕ 20, opaque						
Protection distance		0.3–3m						
NO. of beams		4	6	8	10	12	32
Protection height		60mm	100mm	140mm	180mm	220mm	620mm
Light curtain height		127mm	167mm	207mm	247mm	287mm	687mm
Model NO.	NPN NC	BPL20-T0403NC	BPL20-T0603NC	BPL20-T0803NC	BPL20-T1003NC	BPL20-T1203NC	BPL20-T3203NC
	PNP NC	BPL20-T0403PC	BPL20-T0603PC	BPL20-T0803PC	BPL20-T1003PC	BPL20-T1203PC	BPL20-T3203PC

BPL25

Beam pitch		25mm						
Min. sized detectable objects		> ϕ 30, opaque						
Protection distance		0.3–3m						
NO. of beams		6	8	10	12	14	32
Protection height		125mm	175mm	225mm	275mm	325mm	775mm
Light curtain height		194,5mm	244,5mm	294,5mm	344,5mm	394,5mm	844,5mm
Model NO.	NPN NC	BPL25-T0603NC	BPL25-T0803NC	BPL25-T1003NC	BPL25-T1203NC	BPL25-T1403NC	BPL25-T3203NC
	PNP NC	BPL25-T0603PC	BPL25-T0803PC	BPL25-T1003PC	BPL25-T1203PC	BPL25-T1403PC	BPL25-T3203PC

BPL30

Beam pitch		30mm						
Min. sized detectable objects		> ϕ 35, opaque						
Protection distance		0.3–3m						
NO. of beams		4	6	8	10	12	32
Protection height		90mm	150mm	210mm	270mm	330mm	930mm
Light curtain height		162mm	222mm	282mm	342mm	402mm	1002mm
Model NO.	NPN NC	BPL30-T0403NC	BPL30-T0603NC	BPL30-T0803NC	BPL30-T1003NC	BPL30-T1203NC	BPL30-T3203NC
	PNP NC	BPL30-T0403PC	BPL30-T0603PC	BPL30-T0803PC	BPL30-T1003PC	BPL30-T1203PC	BPL30-T3203PC

BPL40

Beam pitch		40mm						
Min. sized detectable objects		> ϕ 45, opaque						
Protection distance		0.3–3m						
NO. of beams		4	6	8	10	12	32
Protection height		120mm	200mm	280mm	360mm	440mm	1240mm
Light curtain height		197mm	277mm	357mm	437mm	517mm	1317mm
Model NO.	NPN NC	BPL40-T0403NC	BPL40-T0603NC	BPL40-T0803NC	BPL40-T1003NC	BPL40-T1203NC	BPL40-T3203NC
	PNP NC	BPL40-T0403PC	BPL40-T0603PC	BPL40-T0803PC	BPL40-T1003PC	BPL40-T1203PC	BPL40-T3203PC

- Fiber Optic
- Slot Sensors
- Photoelectric
- Laser
- Proximity
- Displacement
- Magnetic
- Contact
- Area
- Ultrasonic
- Vibration
- Temperature
- Cables
- Tester

Guidance

Light curtains

- Standard type
- Top-emitting type
- Side-emitting type

Waterproof type

- Measuring type
- Economical type

Safety Light Curtain

- Beam pitch 10mm
- Beam pitch 20mm
- Beam pitch 30mm
- Beam pitch 40mm

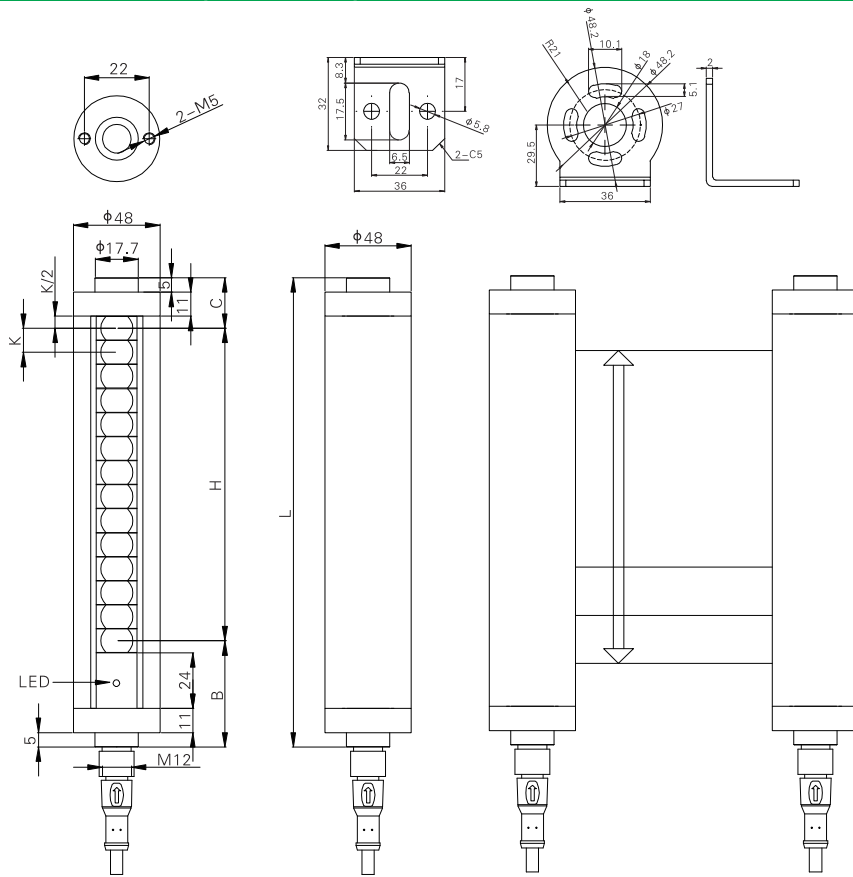
LIDAR scanner

- TOF LIDAR scanner
- MINI LIDAR scanner
- Navigation LIDAR

Waterproof Type

Dimensions(Unit:mm)

Area

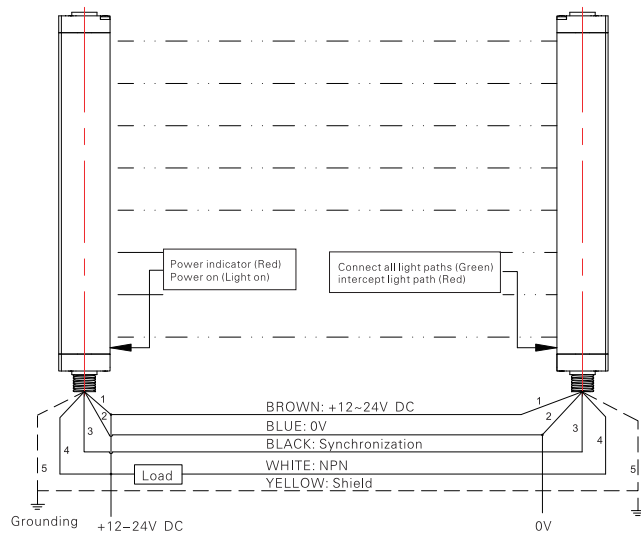


BPL10	BPL25
K: 10	K: 25
H: (N-1)*10	H: (N-1)*25
L: H+68	L: H+69.5
B: 47	B: 41
C: 21	C: 28.5
BPL14	BPL30
K: 14	K: 30
H: (N-1)*14	H: (N-1)*30
L: H+70	L: H+72
B: 47	B: 41
C: 23	C: 31
BPL20	BPL40
K: 20	K: 40
H: (N-1)*20	H: (N-1)*40
L: H+67	L: H+77
B: 41	B: 41
C: 26	C: 36

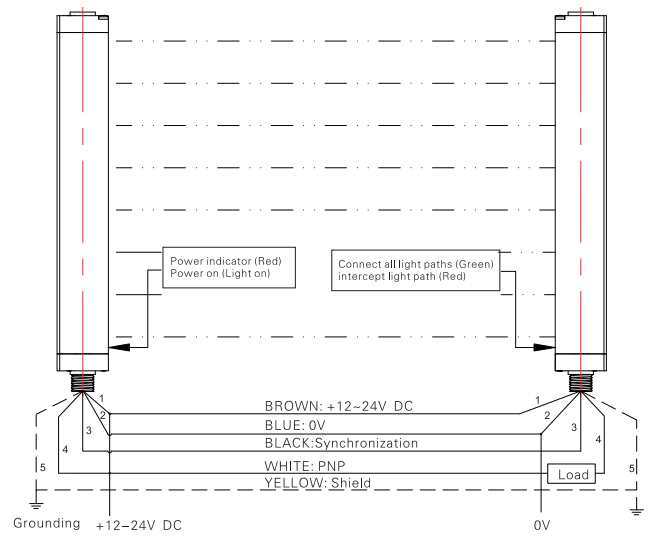
N: No. of beams
 K: Beam pitch
 H: Protection Height=(N-1)K
 L: Light curtain total height=H+B+C
 B: Lower blind height
 C: Upper blind height=K/2+16

Connection Diagram

NPN



PNP



- Fiber Optic
- Slot Sensors
- Photoelectric
- Laser
- Proximity
- Displacement
- Magnetic
- Contact
- Area
- Ultrasonic
- Vibration
- Temperature
- Cables
- Tester

Guidance

- Light curtains
- Standard type
- Top-emitting type
- Side-emitting type
- Waterproof type
- Measuring type
- Economical type
- Safety Light Curtain
- Beam pitch 10mm
- Beam pitch 20mm
- Beam pitch 30mm
- Beam pitch 40mm
- LIDAR scanner
- TOF LIDAR scanner
- MINI LIDAR scanner
- Navigation LIDAR