

Appearance	
Sectional area	17.2*30mm
NO.of beams	6~32
Protection height	50~1240mm
Protection distance	0.3~3m
Beam pitch	10/14/20/25/30/40mm
Min. sized detectable objects	> ϕ 18/ ϕ 22/ ϕ 33/ ϕ 38/ ϕ 48mm, opaque
Supply voltage	24V DC \pm 10%
Current consumption	<200mA
Power consumption	3~8W
Output type	NPN/PNP
Synchronization type	line synchronization
Response time	\leq 15ms
Light source	Infrared LED (Modulated)
Protective circuit	Reverse polarity, output short circuit protection
Ambient temperature	-10°C~+55°C (No condensation, no freezing)
Ambient humidity	35~85%RH
Anti-interference ability	10000Lux
Insulation resistance	Above 100M Ω (DC 500V megger)
Degree of protection	IP65
Material	Aluminium alloy
Connection	M12 connector
Accessories	Cable length 3m, female (Customization available)

- Fiber Optic
- Slot Sensors
- Photoelectric
- Laser
- Proximity
- Displacement
- Magnetic
- Contact
- Area**
- Ultrasonic
- Vibration
- Temperature
- Cables
- Tester

Guidance

Light curtains

- Standard type
- Top-emitting type**
- Side-emitting type
- Waterproof type
- Measuring type
- Economical type

Safety Light Curtain

- Beam pitch 10mm
- Beam pitch 20mm
- Beam pitch 30mm
- Beam pitch 40mm

LIDAR scanner

- TOF LIDAR scanner
- MINI LIDAR scanner
- Navigation LIDAR

BZL10

Beam pitch	10mm							
Min. sized detectable objects	> ϕ 18, opaque							
Protection distance	0.3~3m							
NO.of beams	6	8	10	12	14	32	
Protection height	50mm	70mm	90mm	110mm	130mm	310mm	
Light curtain height	110mm	130mm	150mm	170mm	190mm	370mm	
Model NO.	NPN NC	BZL10-T0603NC	BZL10-T0803NC	BZL10-T1003NC	BZL10-T1203NC	BZL10-T1403NC	BZL10-T3203NC
	PNP NC	BZL10-T0603PC	BZL10-T0803PC	BZL10-T1003PC	BZL10-T1203PC	BZL10-T1403PC	BZL10-T3203PC

BZL14

Beam pitch	14mm							
Min. sized detectable objects	> ϕ 22, opaque							
Protection distance	0.3~3m							
NO.of beams	6	8	10	12	14	32	
Protection height	70mm	98mm	126mm	154mm	182mm	434mm	
Light curtain height	132mm	160mm	188mm	216mm	244mm	496mm	
Model NO.	NPN NC	BZL14-T0603NC	BZL14-T0803NC	BZL14-T1003NC	BZL14-T1203NC	BZL14-T1403NC	BZL14-T3203NC
	PNP NC	BZL14-T0603PC	BZL14-T0803PC	BZL14-T1003PC	BZL14-T1203PC	BZL14-T1403PC	BZL14-T3203PC

BZL20

Beam pitch		20mm						
Min. sized detectable objects		> ϕ 28, opaque						
Protection distance		0.3~3m						
NO.of beams		4	6	8	10	12	32
Protection height		60mm	100mm	140mm	180mm	220mm	620mm
Light curtain height		119mm	159mm	199mm	239mm	279mm	679mm
Model NO.	NPN NC	BZL20-T0403NC	BZL20-T0603NC	BZL20-T0803NC	BZL20-T1003NC	BZL20-T1203NC	BZL20-T3203NC
	PNP NC	BZL20-T0403PC	BZL20-T0603PC	BZL20-T0803PC	BZL20-T1003PC	BZL20-T1203PC	BZL20-T3203PC

BZL25

Beam pitch		25mm						
Min. sized detectable objects		> ϕ 33, opaque						
Protection distance		0.3~3m						
NO.of beams		6	8	10	12	14	32
Protection height		125mm	175mm	225mm	275mm	325mm	775mm
Light curtain height		186.5mm	236.5mm	286.5mm	336.5mm	386.5mm	836.5mm
Model NO.	NPN NC	BZL25-T0603NC	BZL25-T0803NC	BZL25-T1003NC	BZL25-T1203NC	BZL25-T1403NC	BZL25-T3203NC
	PNP NC	BZL25-T0603PC	BZL25-T0803PC	BZL25-T1003PC	BZL25-T1203PC	BZL25-T1403PC	BZL25-T3203PC

BZL30

Beam pitch		30mm						
Min. sized detectable objects		> ϕ 38, opaque						
Protection distance		0.3~3m						
NO.of beams		4	6	8	10	12	32
Protection height		90mm	150mm	210mm	270mm	330mm	930mm
Light curtain height		154mm	214mm	274mm	334mm	394mm	994mm
Model NO.	NPN NC	BZL30-T0403NC	BZL30-T0603NC	BZL30-T0803NC	BZL30-T1003NC	BZL30-T1203NC	BZL30-T3203NC
	PNP NC	BZL30-T0403PC	BZL30-T0603PC	BZL30-T0803PC	BZL30-T1003PC	BZL30-T1203PC	BZL30-T3203PC

BZL40

Beam pitch		40mm						
Min. sized detectable objects		> ϕ 48, opaque						
Protection distance		0.3~3m						
NO.of beams		4	6	8	10	12	32
Protection height		120mm	200mm	280mm	360mm	440mm	1240mm
Light curtain height		189mm	269mm	349mm	429mm	509mm	1309mm
Model NO.	NPN NC	BZL40-T0403NC	BZL40-T0603NC	BZL40-T0803NC	BZL40-T1003NC	BZL40-T1203NC	BZL40-T3203NC
	PNP NC	BZL40-T0403PC	BZL40-T0603PC	BZL40-T0803PC	BZL40-T1003PC	BZL40-T1203PC	BZL40-T3203PC

Fiber Optic
Slot Sensors
Photoelectric
Laser
Proximity
Displacement
Magnetic
Contact
Area
Ultrasonic
Vibration
Temperature
Cables
Tester
Guidance
Light curtains
Standard type
Top-emitting type
Side-emitting type
Waterproof type
Measuring type
Economical type
Safety Light Curtain
Beam pitch 10mm
Beam pitch 20mm
Beam pitch 30mm
Beam pitch 40mm
LIDAR scanner
TOF LIDAR scanner
MINI LIDAR scanner
Navigation LIDAR

BZL20

Beam pitch		20mm						
Min. sized detectable objects		> ϕ 28, opaque						
Protection distance		0.3~3m						
NO.of beams		4	6	8	10	12	32
Protection height		60mm	100mm	140mm	180mm	220mm	620mm
Light curtain height		119mm	159mm	199mm	239mm	279mm	679mm
Model NO.	NPN NC	BZL20-T0403NC	BZL20-T0603NC	BZL20-T0803NC	BZL20-T1003NC	BZL20-T1203NC	BZL20-T3203NC
	PNP NC	BZL20-T0403PC	BZL20-T0603PC	BZL20-T0803PC	BZL20-T1003PC	BZL20-T1203PC	BZL20-T3203PC

BZL25

Beam pitch		25mm						
Min. sized detectable objects		> ϕ 33, opaque						
Protection distance		0.3~3m						
NO.of beams		6	8	10	12	14	32
Protection height		125mm	175mm	225mm	275mm	325mm	775mm
Light curtain height		186.5mm	236.5mm	286.5mm	336.5mm	386.5mm	836.5mm
Model NO.	NPN NC	BZL25-T0603NC	BZL25-T0803NC	BZL25-T1003NC	BZL25-T1203NC	BZL25-T1403NC	BZL25-T3203NC
	PNP NC	BZL25-T0603PC	BZL25-T0803PC	BZL25-T1003PC	BZL25-T1203PC	BZL25-T1403PC	BZL25-T3203PC

BZL30

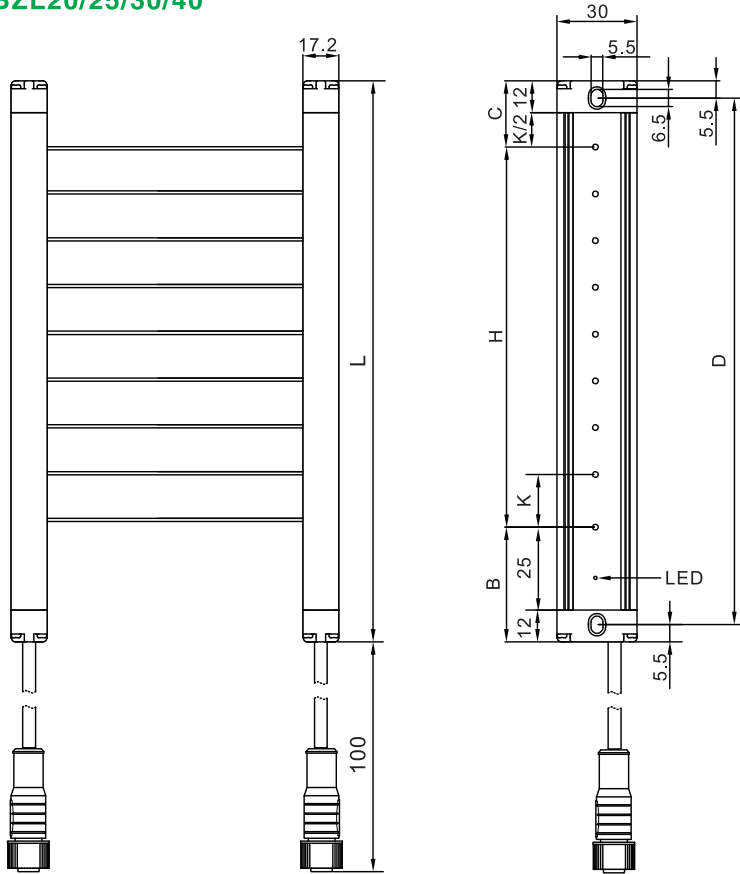
Beam pitch		30mm						
Min. sized detectable objects		> ϕ 38, opaque						
Protection distance		0.3~3m						
NO.of beams		4	6	8	10	12	32
Protection height		90mm	150mm	210mm	270mm	330mm	930mm
Light curtain height		154mm	214mm	274mm	334mm	394mm	994mm
Model NO.	NPN NC	BZL30-T0403NC	BZL30-T0603NC	BZL30-T0803NC	BZL30-T1003NC	BZL30-T1203NC	BZL30-T3203NC
	PNP NC	BZL30-T0403PC	BZL30-T0603PC	BZL30-T0803PC	BZL30-T1003PC	BZL30-T1203PC	BZL30-T3203PC

BZL40

Beam pitch		40mm						
Min. sized detectable objects		> ϕ 48, opaque						
Protection distance		0.3~3m						
NO.of beams		4	6	8	10	12	32
Protection height		120mm	200mm	280mm	360mm	440mm	1240mm
Light curtain height		189mm	269mm	349mm	429mm	509mm	1309mm
Model NO.	NPN NC	BZL40-T0403NC	BZL40-T0603NC	BZL40-T0803NC	BZL40-T1003NC	BZL40-T1203NC	BZL40-T3203NC
	PNP NC	BZL40-T0403PC	BZL40-T0603PC	BZL40-T0803PC	BZL40-T1003PC	BZL40-T1203PC	BZL40-T3203PC

Fiber Optic
Slot Sensors
Photoelectric
Laser
Proximity
Displacement
Magnetic
Contact
Area
Ultrasonic
Vibration
Temperature
Cables
Tester
Guidance
Light curtains
Standard type
Top-emitting type
Side-emitting type
Waterproof type
Measuring type
Economical type
Safety Light Curtain
Beam pitch 10mm
Beam pitch 20mm
Beam pitch 30mm
Beam pitch 40mm
LIDAR scanner
TOF LIDAR scanner
MINI LIDAR scanner
Navigation LIDAR

BZL20/25/30/40

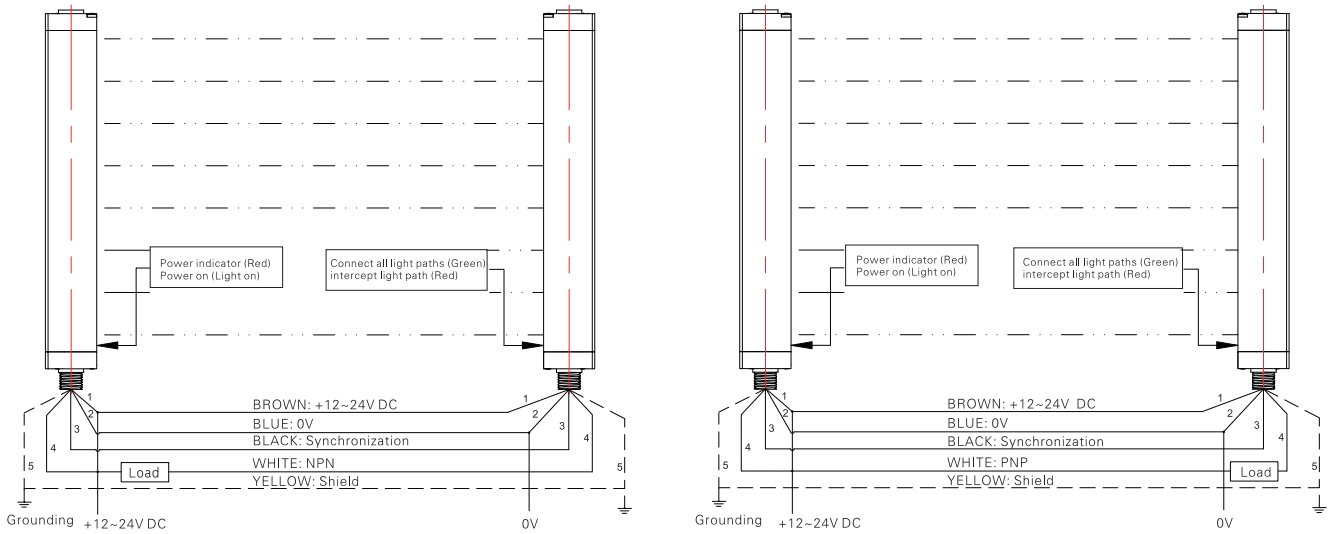


H: Protection Height= (N-1) K
 L: Light curtain total height=(N-1/2)K+49
 N: No. of beams
 K: Beam pitch
 B: Lower blind height=37
 C: Upper blind height=K/2+12
 D: Mounting hole spacing= (L-11)

Connection Diagram

NPN

PNP



- Fiber Optic
- Slot Sensors
- Photoelectric
- Laser
- Proximity
- Displacement
- Magnetic
- Contact
- Area
- Ultrasonic
- Vibration
- Temperature
- Cables
- Tester

Guidance

- Light curtains
- Standard type
- Top-emitting type
- Side-emitting type
- Waterproof type
- Measuring type
- Economical type
- Safety Light Curtain
- Beam pitch 10mm
- Beam pitch 20mm
- Beam pitch 30mm
- Beam pitch 40mm
- LIDAR scanner
- TOF LIDAR scanner
- MINI LIDAR scanner
- Navigation LIDAR