

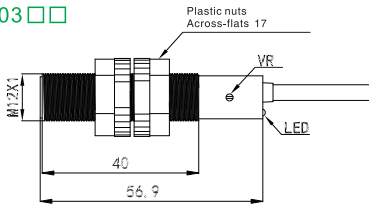


Appearance	Shielded			Unshielded			
Mounting	M12	M18	M30	M12	M18	M30	
Housing size	M12	M18	M30	M12	M18	M30	
Sensing distance	1~3mm adjustable	2~8mm adjustable	2~20mm adjustable	1~6mm adjustable	2~15mm adjustable	2~30mm adjustable	
Housing material	PBT						
Operating voltage	10~30V DC (Ripple < 10%)						
Voltage drop	< 2V						
Load Current, Max	150mA	300mA		150mA	300mA		
Current consumption	< 10mA						
Leakage current	< 0.01mA						
Switch frequency	100Hz						
Repeat accuracy	< 5% (Sr)						
Hysteresis	< 15% (Sr)						
Sensing surface material	PBT						
Operating Temperature	-25°C~+75°C						
Protective circuit	Short circuit						
Degree of protection	IP67						
Model No.	NPN Normally open	CKF12-03 NO	CKF18-08 NO	CKF30-20 NO	CKN12-06 NO	CKN18-15 NO	CKN30-30 NO
Others	NO :NPN Normally open NC :NPN Normally closed PO :PNP Normally open PC :PNP Normally closed						

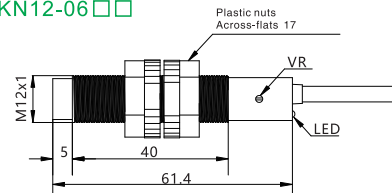
Dimensions-Plastic Shells (Unit:mm)

M12

CKF12-03 □□

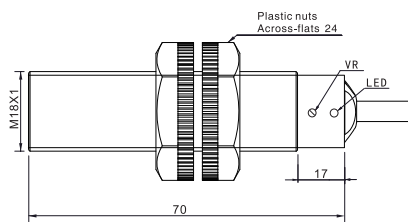


CKN12-06 □□

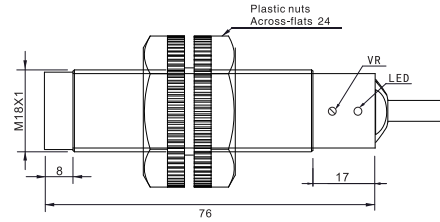


M18

CKF18-08 □□

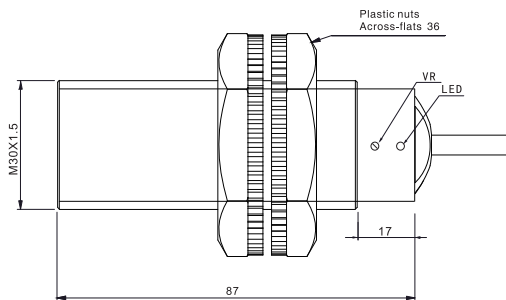


CKN18-15 □□



M30

CKF30-20 □□



CKN30-30 □□

