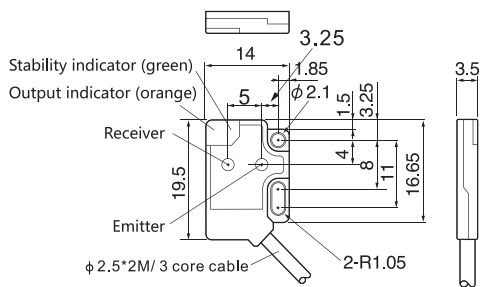


Appearance				
Sensing type	Convergent reflective			
Sensing distance	5~30mm	3~8mm	2~15mm	
Spot size	φ 20mm / 30mm	φ 10mm / 8mm	φ 10mm / 15mm	
Detection object	No-limit			
Hysteresis range	White paper: 15%	White paper: 10%		
Output type	NPN/PNP Open – collector			
Switch type	L.on			
Indicator	Output indicator: Orange; Work indicator: Green; Power indicator: Red			
Response time	≤0.5ms		1.2ms	
Power on delay	15ms		50ms	
Light source	Infrared 650nm (Modulated)		Infrared 850nm (Modulated)	
Operating voltage	12~24V DC ± 10%		10~30V DC ± 10%	
Current consumption	≤20mA			
Protective circuit	Overload protection, reverse polarization protection, short circuit protection			
Ambient brightness	Sunlight ≤1000Lux, Incandescent lamp ≤3000Lux			
Ambient temperature	-25°C~+55°C No freezing			
Ambient humidity	35~85%RH No condensation			
Storage temperature	-40°C~+70°C, No freezing			
Storage humidity	35~95%RH, No condensation			
Impact resistance	1000m/s ² , 3 times in X,Y,Z			
Shock resistance	10~50Hz, Upper and lower amplitude 1.5mm, 2 hours in X,Y,Z direction			
Degree of protection	IP67			
Material	PC			
Connection method	φ 2.5*2M 3 core cable			
Model No.	NPN	ESL-X30NO	ESL-X08NO	ESL-15NO
	PNP	ESL-X30PO	ESL-X08PO	ESL-15PO

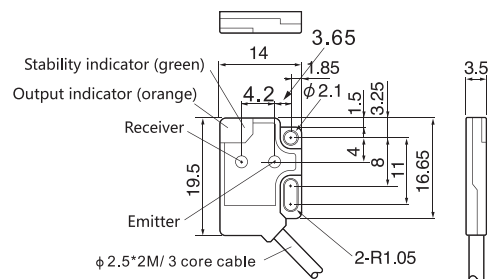
Dimensions

Unit: mm

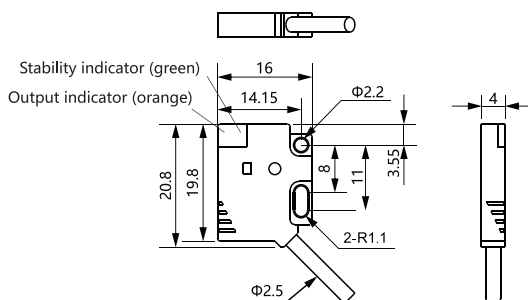
ESL-X30



ESL-X08

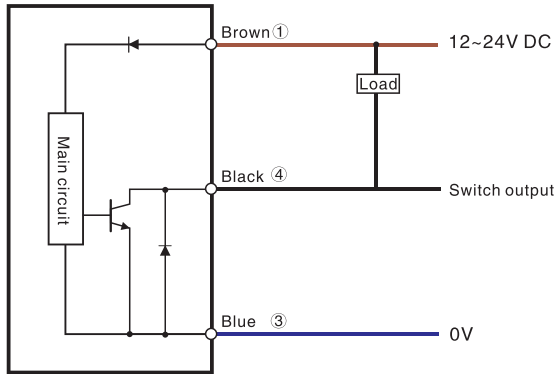


ESL-15

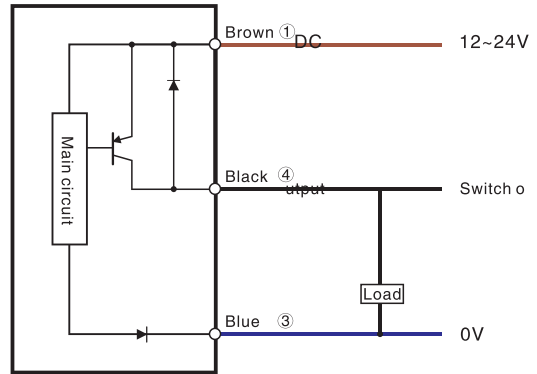


ESL-X30/ESL-X08

NPN Output

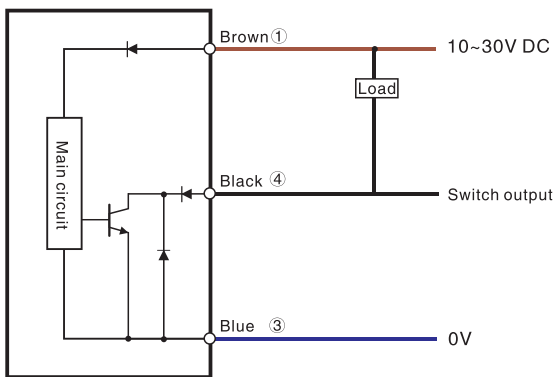


PNP Output



ESL-15

NPN Output



PNP Output

