

# Label Detection

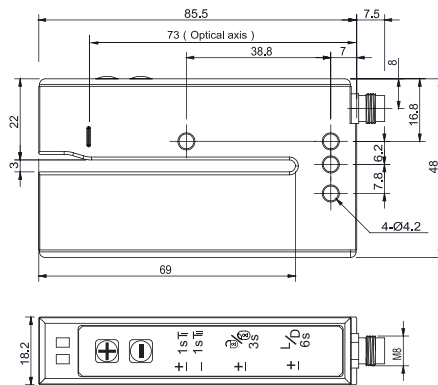
## KUM Series



### Appearance

|                       |   |
|-----------------------|---|
| Sensing distance      | 3mm   |
| Min length of label   | 2mm   |
| Min gap of label      | 2mm   |
| Slot depth            | 69mm  |
| Slot width            | 3mm   |
| Emitter               | Ultrasonic  |
| Max detection speed   | 180m/min  |
| Repeat accuracy       | ± 0.20mm(120m/min)  |
| Switch mode           | Selectable L.on/D.on                                      |
| Operating voltage     | 12~24V DC ± 10%   |
| No-load current       | 45mA  |
| Load current          | 100mA   |
| Residual voltage      | < 2V@1L=100mA   |
| Response frequency    | 1500Hz  |
| Response time         | 300 μs  |
| Protection circuit    | Output short circuit protection; Interference suppression |
| Operating temperature | -5~+55°C  |
| Storage temperature   | -20~+70°C   |
| Degree of protection  | IP65  |
| Shell material        | Aluminum  |
| Connection method     | M8 4-pin connector  |
| Weight                | 130g  |
| Mode                  | NPN <b>KUM08-0307N</b>                                    |
|                       | PNP <b>KUM08-0307P</b>                                    |

### Dimensions



Umit: mm

### Circuit diagram

