

PG1 Dual Digital Display Fiber Optic Amplifier

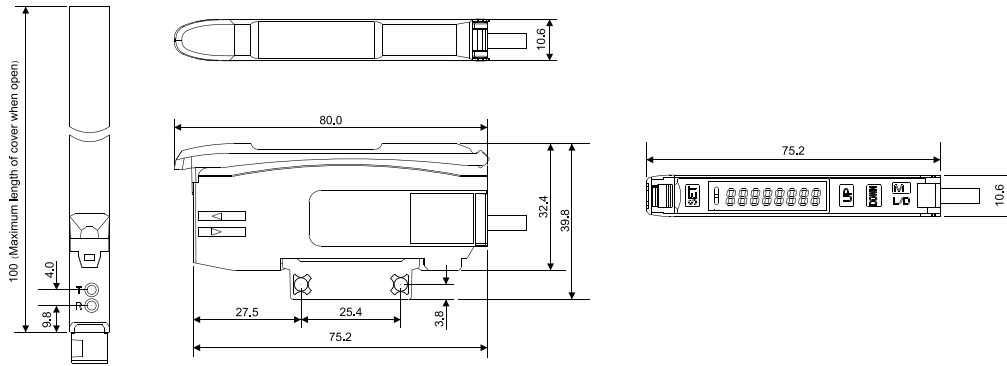
- With automatic light compensation technology, 4-channel anti-light interference
- Small hysteresis, dual output selectable, the fastest speed upto 13 μ s



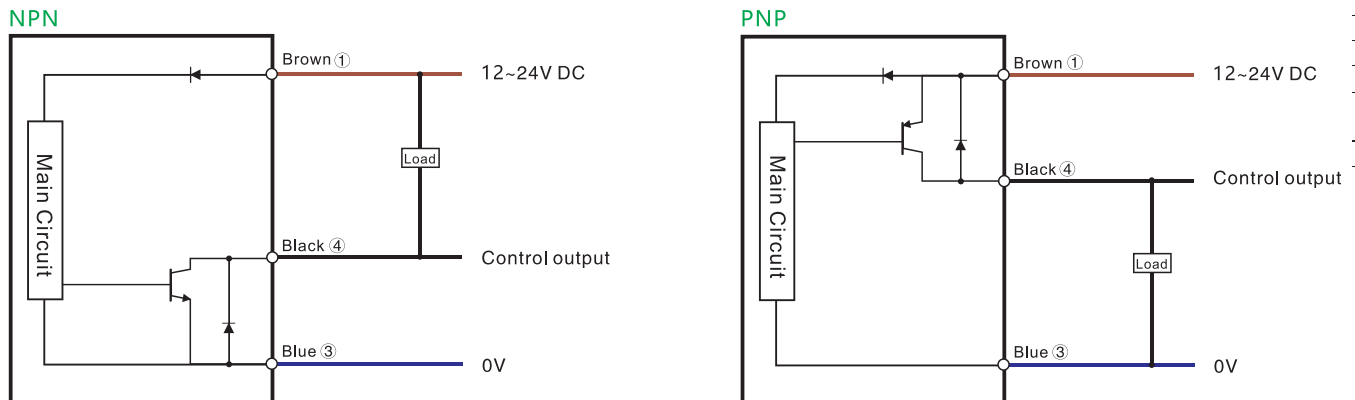
Model No.	PG1-N HOT	PG1-P
Control output	1 output port	
Light source	Red, 4-element LED	
Response time	SHP: 13 μ s, FINE: 30 μ s, SUPR: 100 μ s, MEGA: 200 μ s	
Output selection	LIGHT-ON/DARK-ON (Short press MODE and select with UP DOWN)	
Display indicator	Operation indicator: Red LED, dual digital monitor: Dual 7-digit display, threshold (4-digit green LED body indicator) and current value (4-digit red LED body indicator) lit together. Current value range: 0-9999	
Detection method	Light intensity (area detection is available for automatic sensitive tracking)	
Delay function	1ms~9999ms	
Control output	NPN open collector, maximum 100mA, residual voltage: 1V	PNP open collector, maximum 100mA, residual voltage: 1V
Power supply	12~24V DC \pm 10%	
Ambient illuminance	Incandescent lamp \leq 20,000 lux, Sunlight \leq 30000 Lux	
Power consumption	Standard mode: Max 300mW	
Vibration resistance	10~55Hz, double amplitude: 1.5mm, X, Y, Z axis are 2 hours respectively	
Ambient temperature	-10°C~+55°C, No freezing	

Dimensions

Unit: mm



Circuit diagram



Fiber Optic

Slot Sensors

Photoelectric

Laser

Proximity

Displacement

Magnetic

Contact

Area

Ultrasonic

Vision

Vibration

Temperature

Annexes

Guidance

Fiber amplifiers

Standard economical

High stability

High performance type

High speed response

Fiber components

Popular type

Array-type

Flat bracket type

Side-view type

High elastic type

High temperature resistant

Small spot type

Combination type

High end type

Fiber lens

Fiber lens