

Highly Stable Type Fiber Amplifier

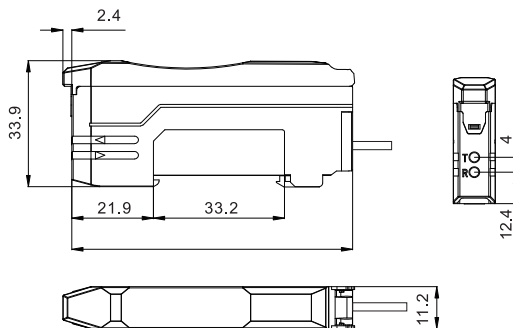
PG5 Highly Stable Dual Digital Display Fiber Amplifier

- APC compensation function, high stability
- With AI function, automatically configure the most suitable luminous intensity
- Coded menu: greatly reduce the cost of use and maintenance;



Model No.	PG5-N	PG5-P
light source	Red LED (wavelength 630nm)	
Reaction time	50μs (P100) 、 250μs (P101) 、 500μs (P102) 、 1ms (P103) 、	
Output method	Normally open and normally closed: L. on , D. on	
Protect the circuit	Power supply reverse connection protection, output surge protection, output reverse connection protection, output overcurrent protection, output ESD protection	
Timer function	Output off timing, output on timing, output single timing, output timing off	
Control output	Applied voltage: 30V DC or less (between detection output and 0V) Maximum output current: 100mA; residual voltage: below 2V	Applied voltage: below 30V DC (between detection output and +0V) Maximum output current: 100mA; residual voltage: below 2V
Delay function	Conventional: 900mW (at 24V, the maximum is 32mA; at 12V, the maximum is 47mA)	Conventional: 900mW (at 24V, the maximum is 36mA; at 12V, the maximum is 50mA)
Timing range	1-9999ms	
Utility function	Parameter initialization/key lock/threshold two points, automatic and manual setting, fast saturation attenuation	
Regional mode	Yes	
voltage	12-24VDC ± 10%	
Power consumption	20mA max	
Ambient luminosity	Incandescent lamp: maximum 20000lux, sunlight: maximum 30000lux	
Ambient temperature	-10°C~+55°C, no freezing	
Environment humidity	35~85% RH	
Vibration resistance	10 To 55Hz, full width 1.5mm, X, Y, Z axis directions for 2 hours each	
Impact resistance	500m/s ² , 3 times each in X, Y, and Z axis directions	
Shell material	Polycarbonate	

Dimensions



Circuit diagram

